

Trouble shooting for error 05

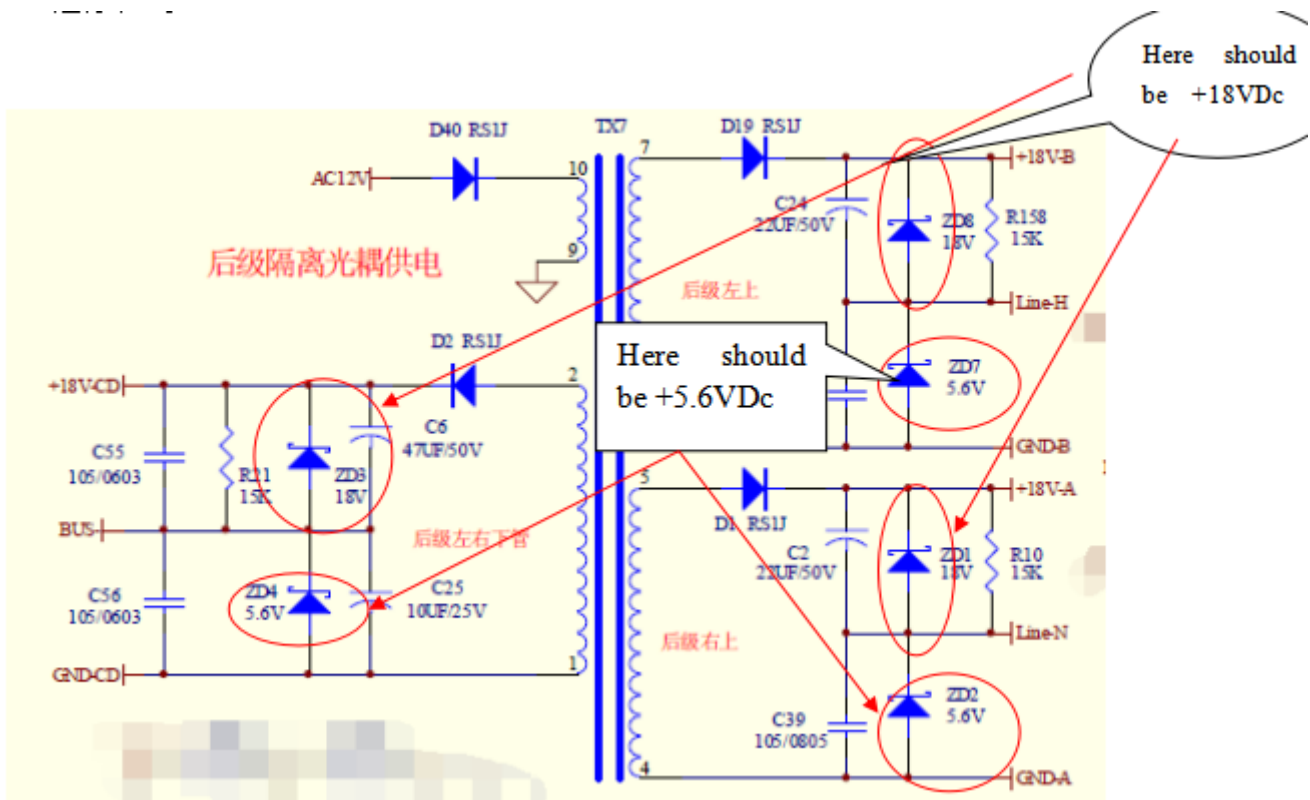
Suitable for SAKO inverter: SUNSEE/SUNON/SUNON PLUS/SUNPOLO

Error code 05: output short-circuit or over temperature detected in inverter inner components.

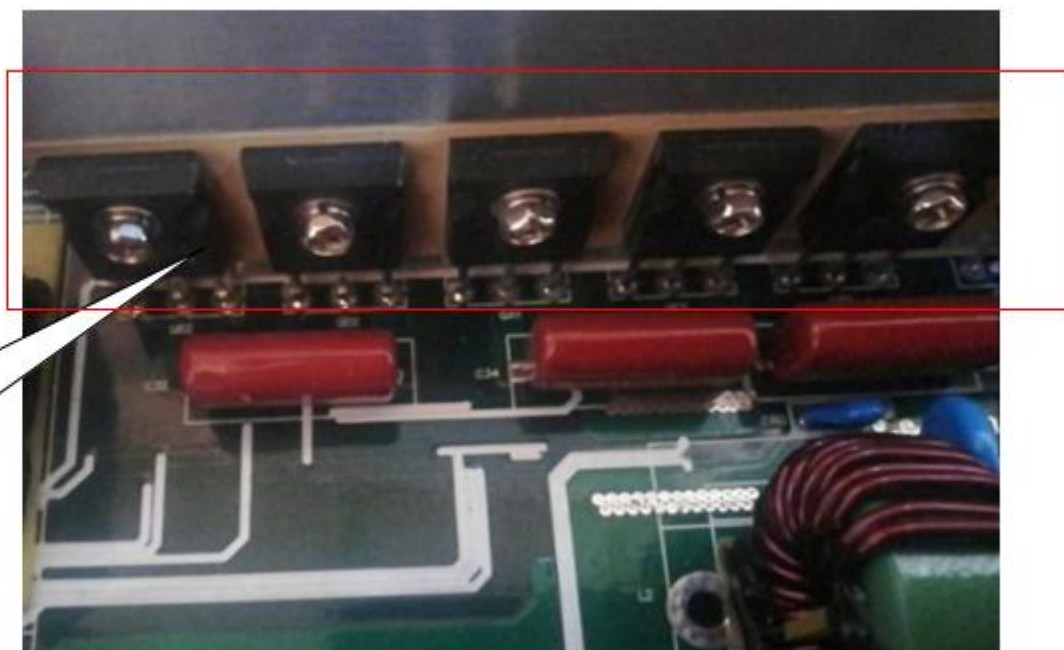
Trouble shooting:

Step 1. Disconnect the load, grid input and solar input Just connect battery and turn on the inverter after 5 minutes. If the inverter can be turned on, please reduce parts of the load. If still problem, go for step 2.

Step 2. Disconnect all power source, and open the top cover,take out the main-board, place the main board on the insulated tables, connect with DC power source (Suggest control the max current at 5A). Upturn the main-board and test the voltage of DC-AC drive power supply circuit (See as below photos). Switch the multimeter to the DC gear wheel, the red test lead to the negative pole of zener diode , and the black test lead to the positive pole of zener diode. If everything is ok, go for step 3.



Step 3. Disconnect all power source, test the DC to AC Mosfet (or IGBT) and related drive resistance. If damaged, replaced them.(See as below photos)



后级 MOS 场效
应管 DC to AC
Mosfet (or
IGBT)