

Trouble shooting for error 07

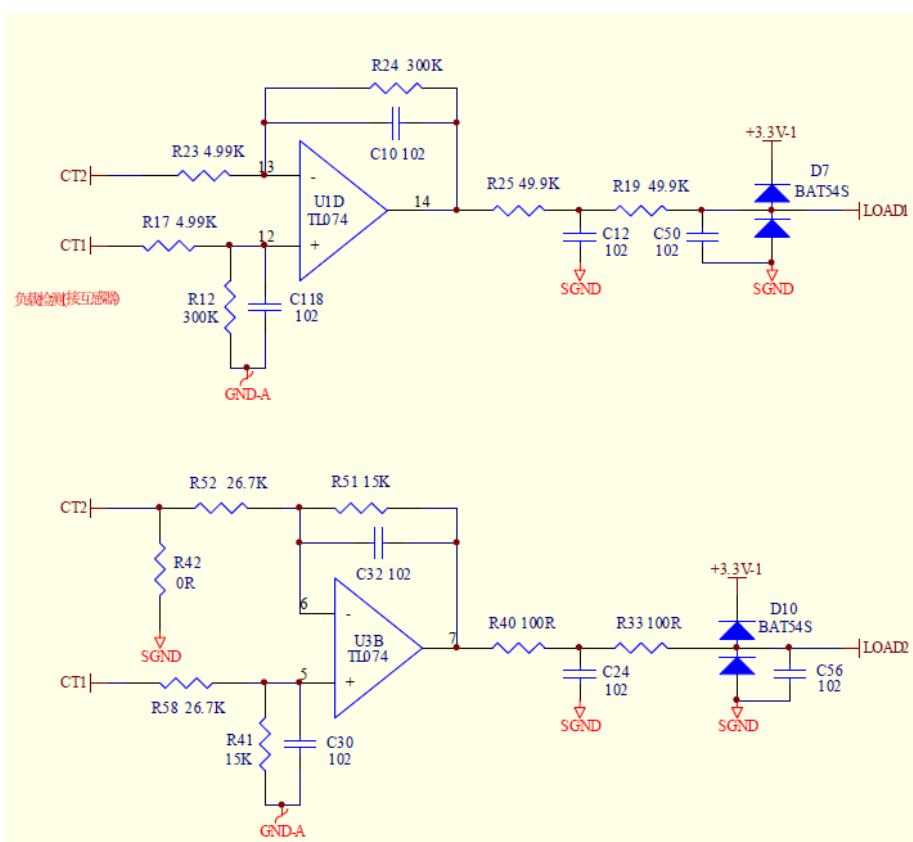
Suitable for SAKO inverter: SUNSEE/SUNON/SUNON PLUS/SUNPOLO

Error code 07: Overload time out

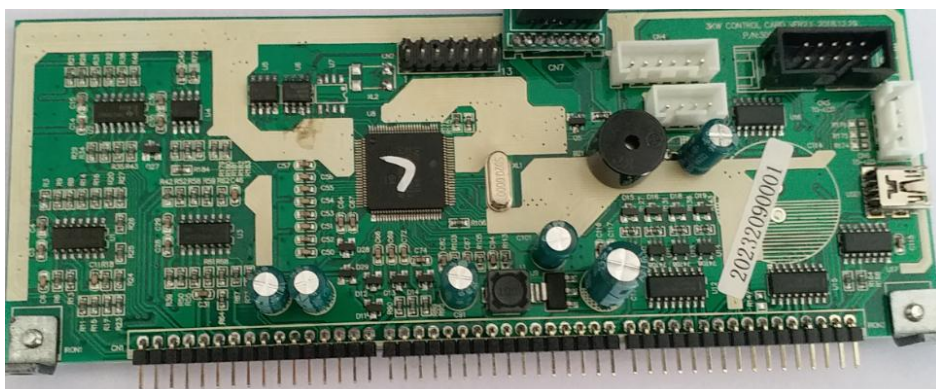
Trouble shooting:

Step 1. Disconnect the load, grid input and solar input. Just connect battery and turn on the inverter. If still problem, go for step 2.

Step 2. Disconnect all power source, and open the top cover, take out the control board, place the control board on the insulated tables, Test the output sampling circuit with multimeter (See as below picture A), and replace the damaged components or control board (See below picture B).



Picture A



Picture B