

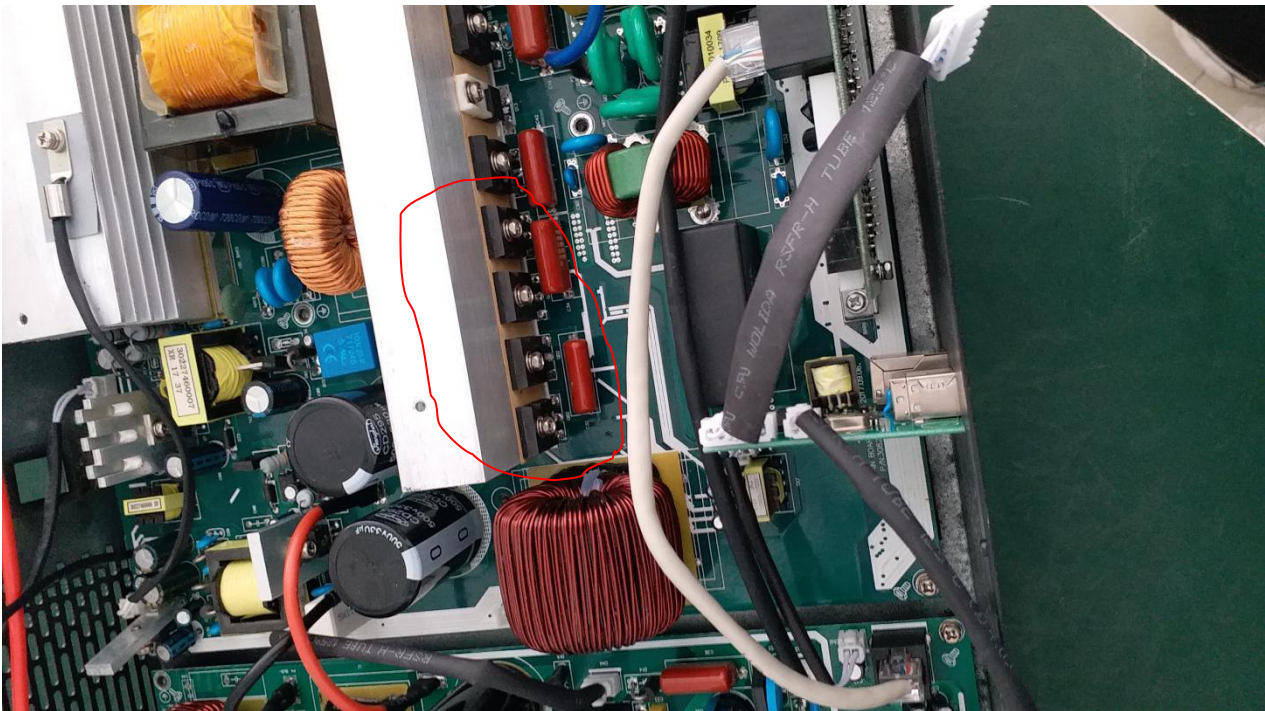
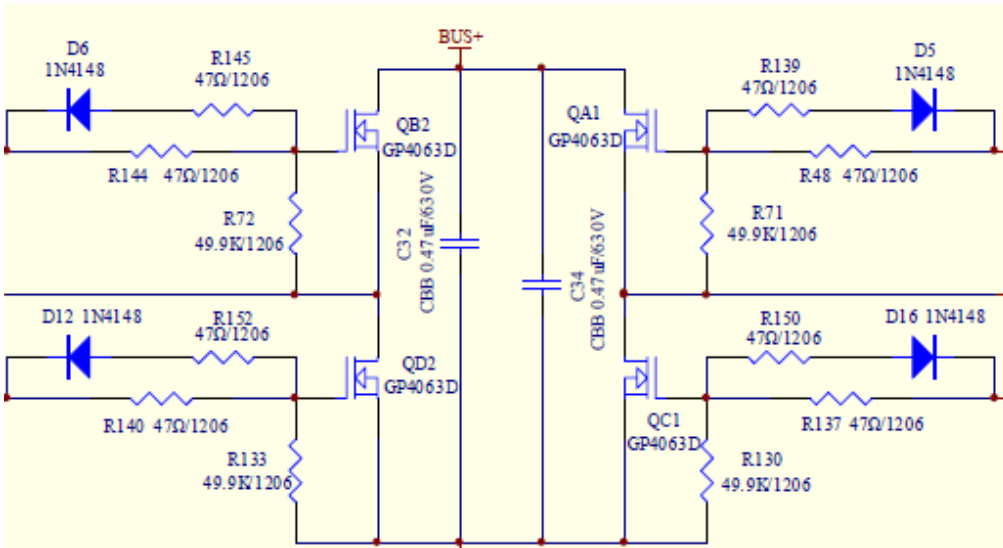
Trouble shooting for error 09

Solution for Error code 9.

Suitable for SAKO inverter: SUNSEE/SUNON/SUNON PLUS/SUNPOLO

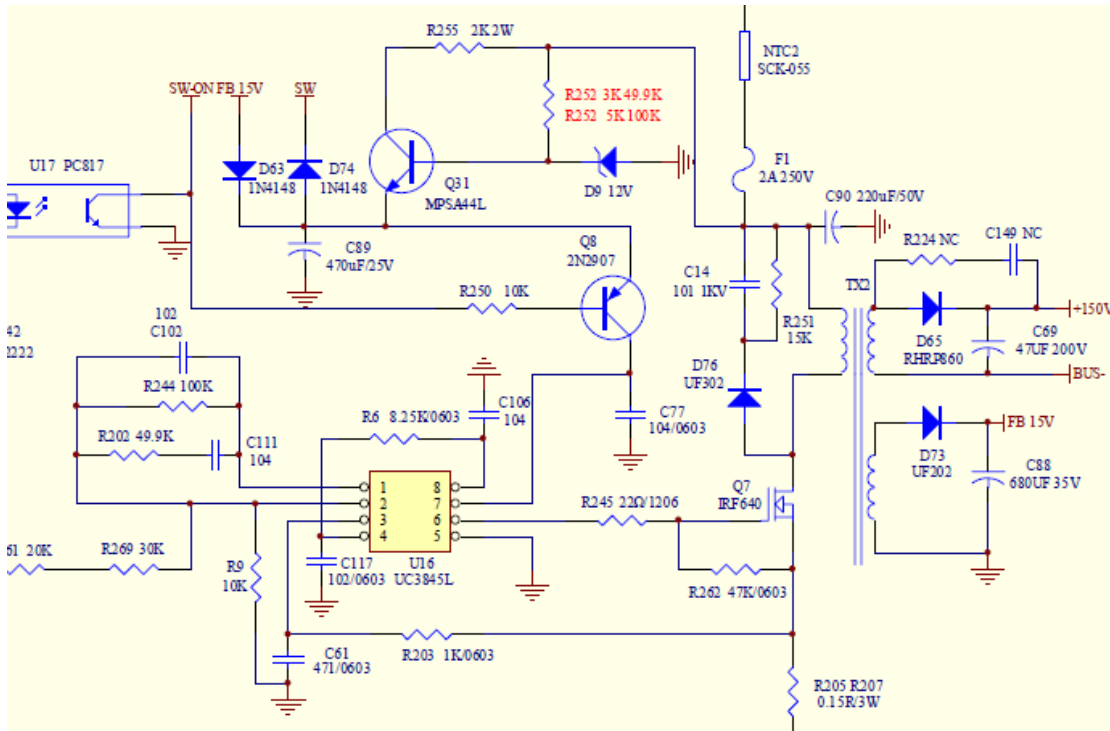
Error code 09: Bus soft start failed

1. Turn the multimeter rotary knob to diodes and resistance location, to test the Mosfets and drive resistor in main board's invert circuit, see if they are burnt or damaged. See below circuit diagram(Picture 1)

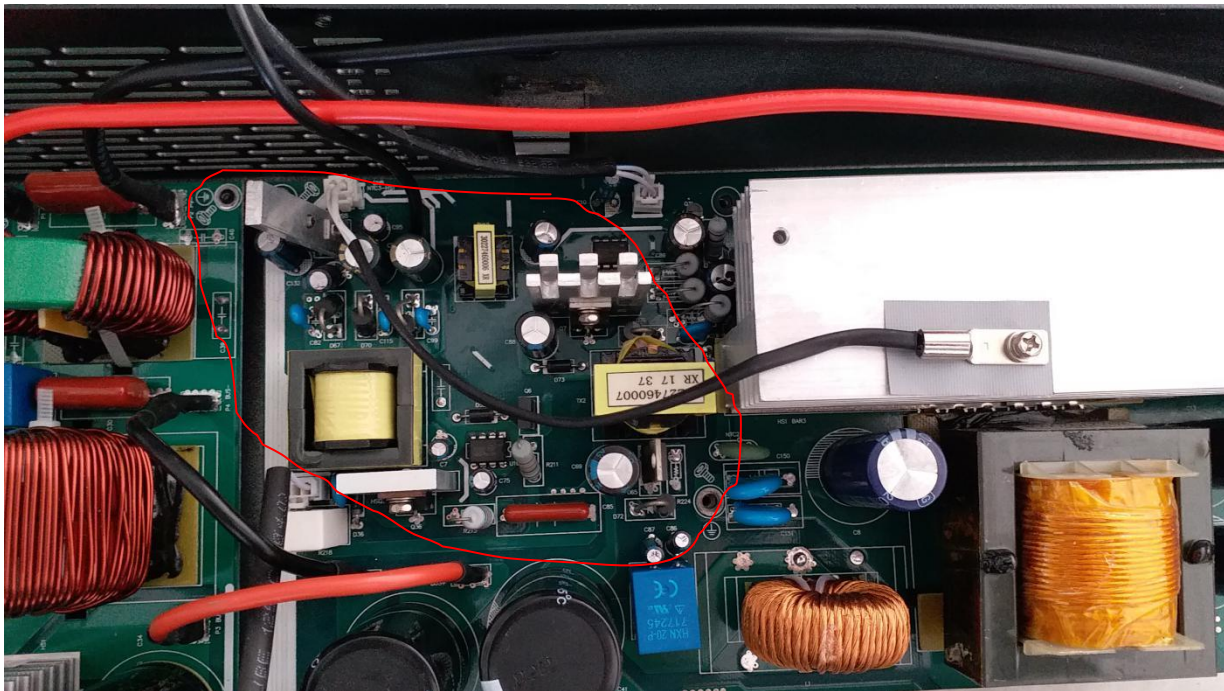


The contents in red circle of picture 2 match to the QA1、QB2、QC1、QD2 of picture 1, drive resistor and other items are on reverse side. pls replace with good ones if any damage.

2. Turn the multimeter rotary knob to resistance location, to test the BUS soft start parts if any been burnt or damaged. See below circuit diagram(Picture 1)



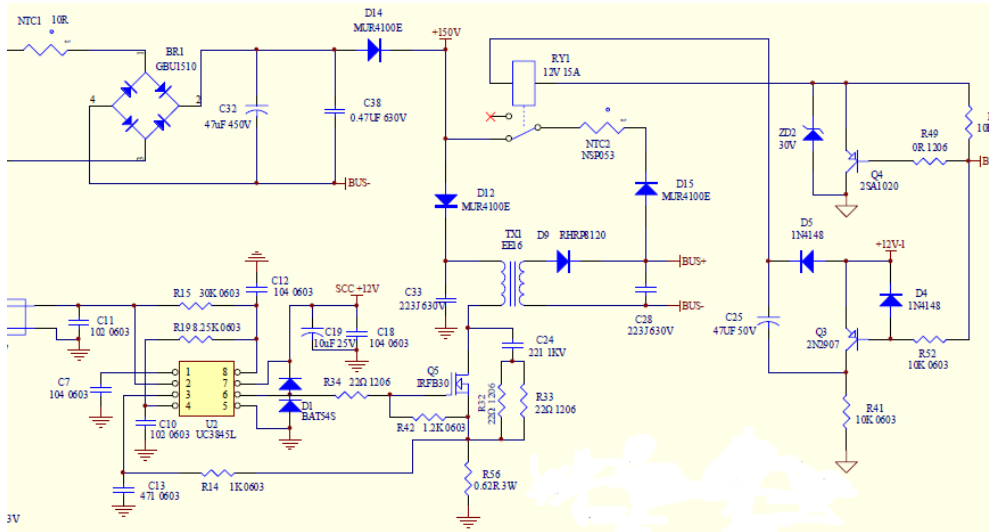
Picture 1



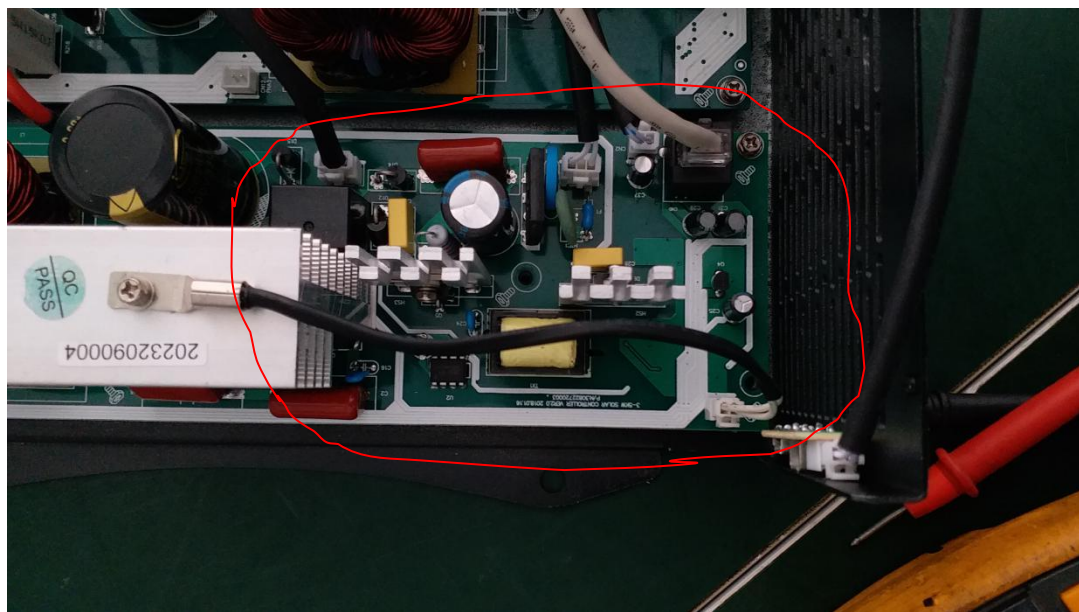
Picture 2

The contents in red circle of picture 2 match to picture 1 diagram, pls replace with good ones if any damage.

3. Use multimeter to test the MPPT parts. See below circuit diagram(Picture 1)



Picture 1



Picture 2

The contents in red circle of picture 2 match to picture 1 diagram, pls replace with good ones if any damage.