

Trouble shooting for error 55

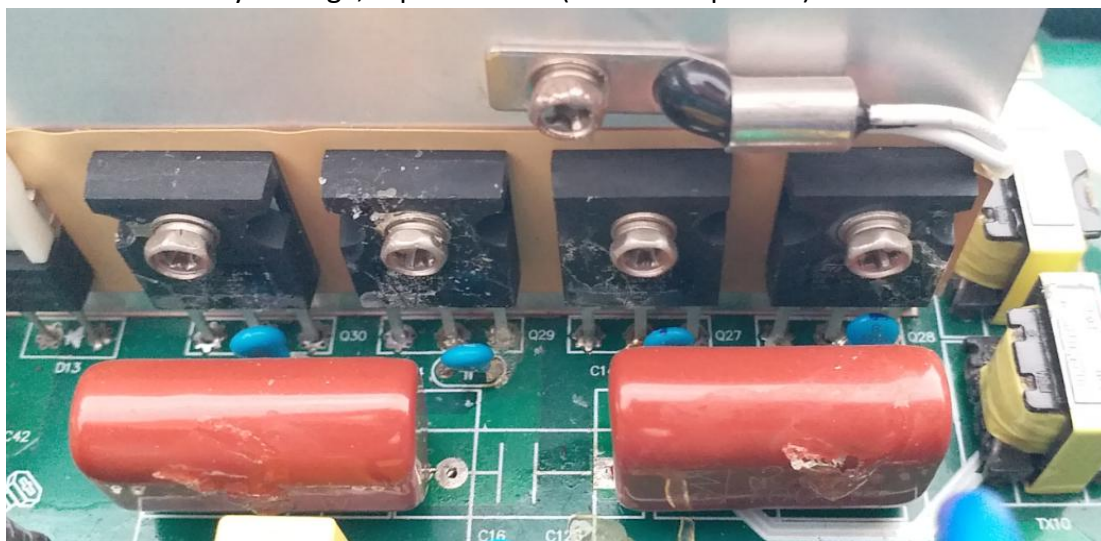
Suitable for SAKO inverter: SUNSEE/SUNON/SUNON PLUS/SUNPOLO

Error code 55, Over DC voltage in AC output

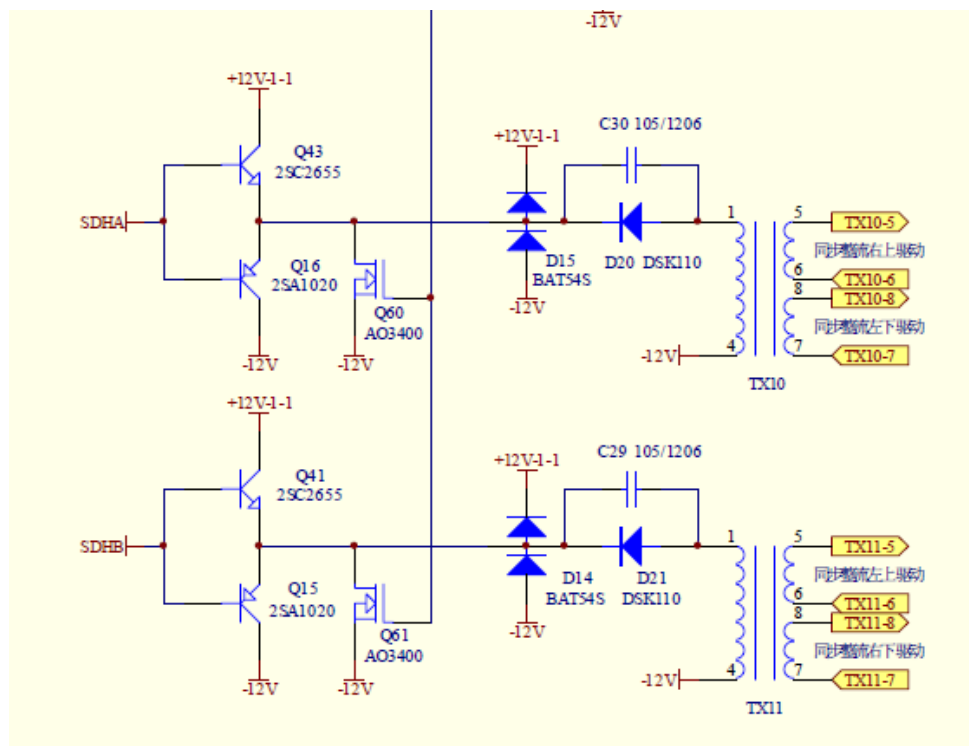
Trouble shooting:

Step 1. Disconnect the load, grid input and solar input. Just connect battery and turn on the inverter. If still problem, go to step 2.

Step 2. Disconnect all power source, and open the top cover, take out the main board, place the main board on the insulated tables. Check the BUS synchronous rectification MOS and related the drive circuit with multimeter. If any damage, replace them. (See below picture).



MOS of synchronous rectification



the drive circuit of synchronous rectification