

Trouble shooting for error 57

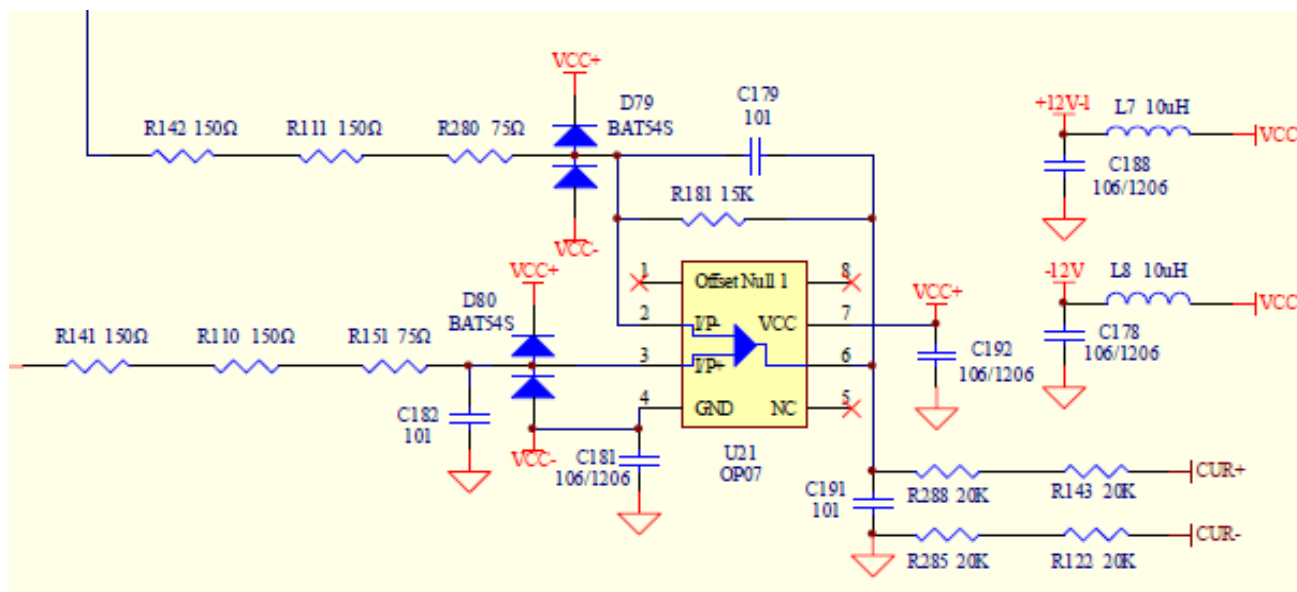
Suitable for SAKO inverter: SUNSEE/SUNON/SUNON PLUS/SUNPOLO

Error code 57, Current sensor failed

Trouble shooting:

Step 1. Disconnect the load, grid input and solar input. Just connect battery and turn on the inverter. If still problem, go to step 2.

Step 2. Disconnect all power source, and open the top cover, take out the main board, place the main board on the insulated tables. Check the the DC to AC MOS sampling circuit . If any damage on OP07 integrated circuit or other components, replace them. If still problems, go to step 3. (See below picture).



Steps 3. Replace the control board

