

## Trouble shooting for error 58

Suitable for SAKO inverter: SUNSEE/SUNON/SUNON PLUS/SUNPOLO

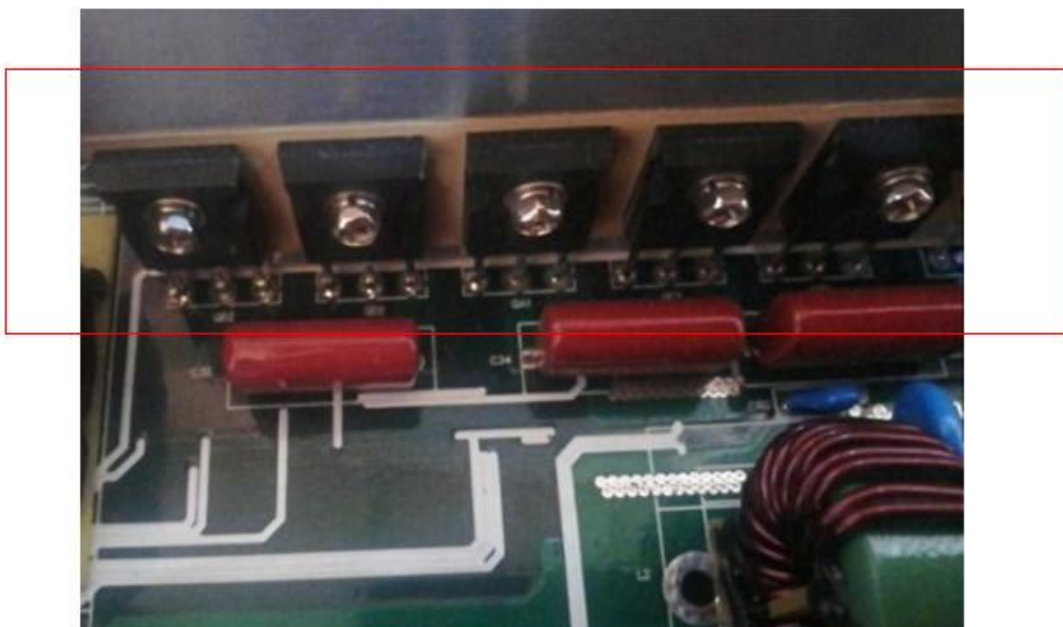
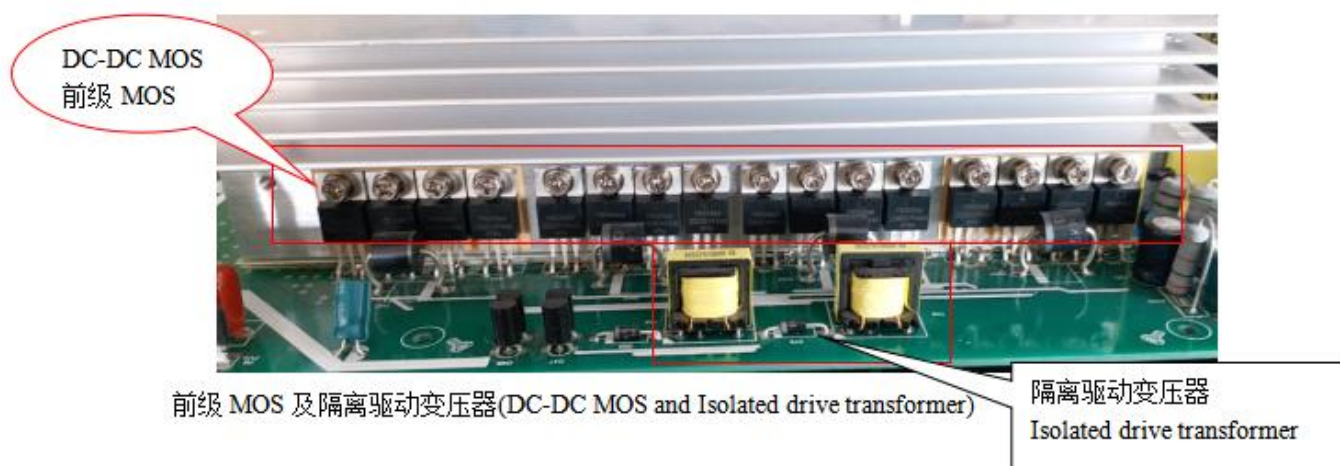
Error code 58, Output voltage is too low

Trouble shooting:

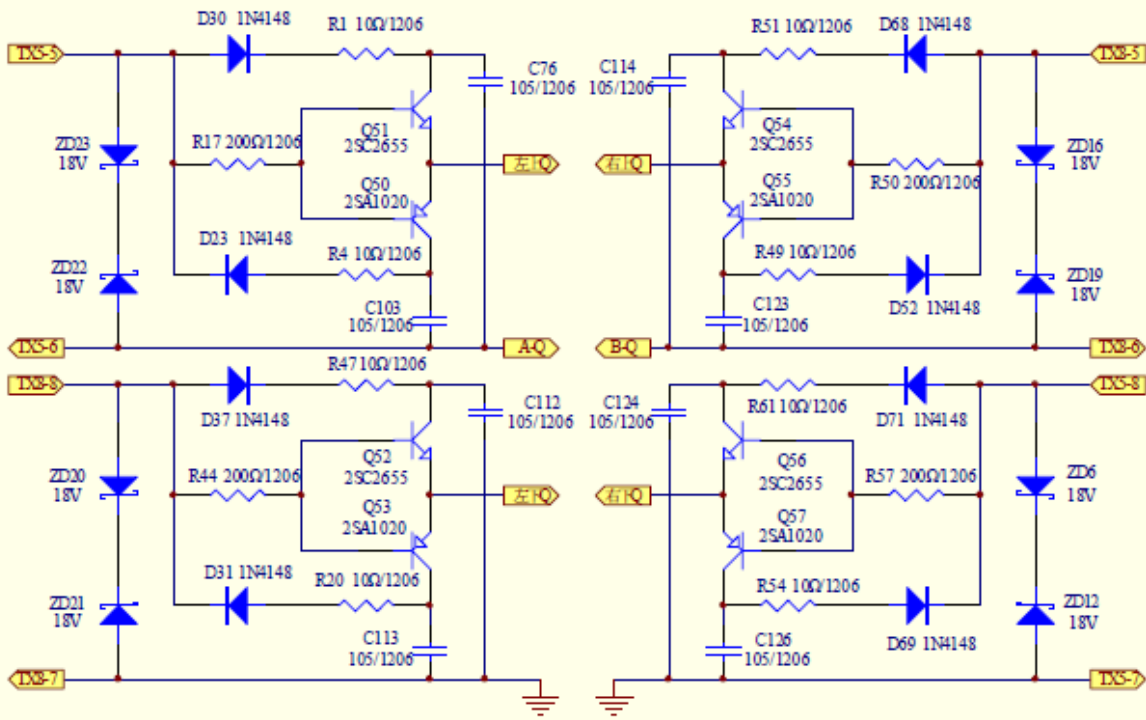
Step 1. Disconnect the load, grid input and solar input. Just connect battery and turn on the inverter. If still problem, go to step 2.

Step 2. Check the battery voltage, if the battery voltage is too low ( lower than 24v for 3k, and lower than 48v for 5K.), charge the battery in time. If still problem, go to steps 3.

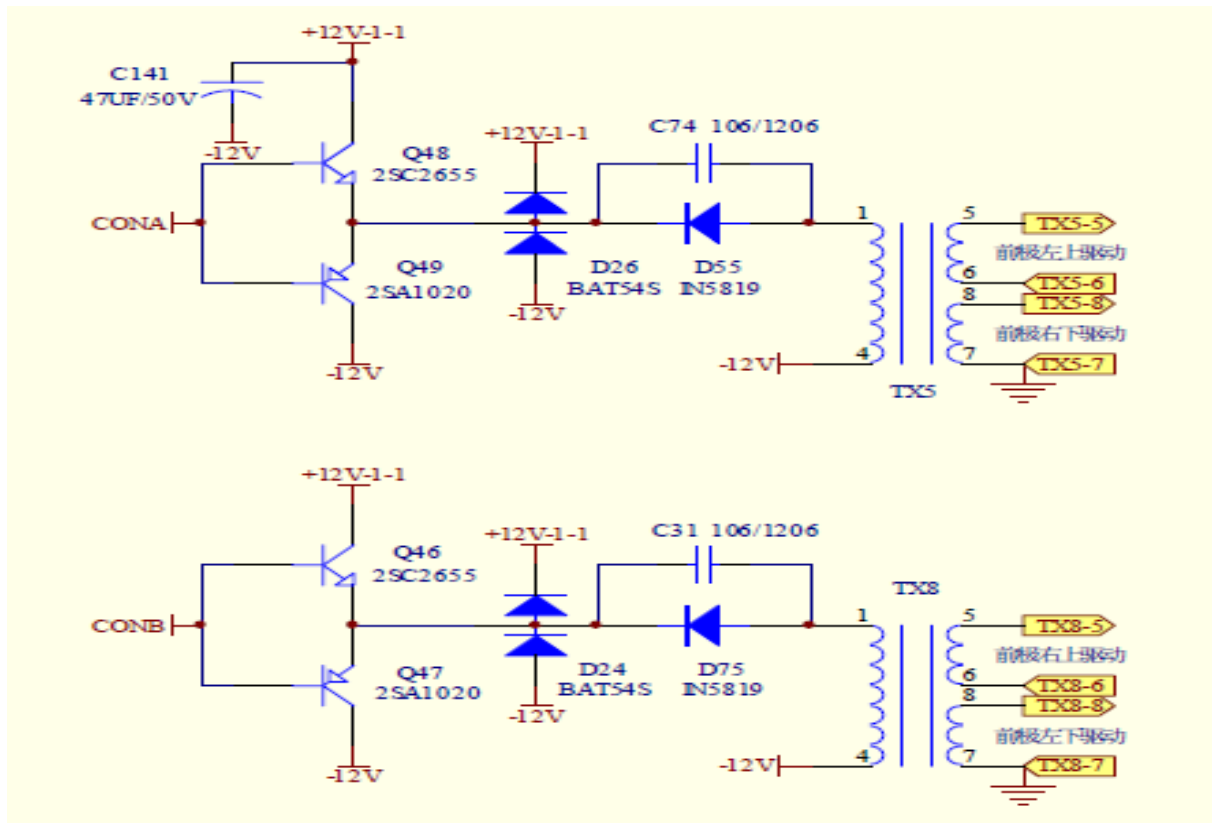
Step 3. Disconnect all power source, and open the top cover, take out the main board, place the main board on the insulated tables. Test the DC to DC, DC to AC MOS and Isolated drive resistance with multimeter, replace the damaged components (See as below pictures)



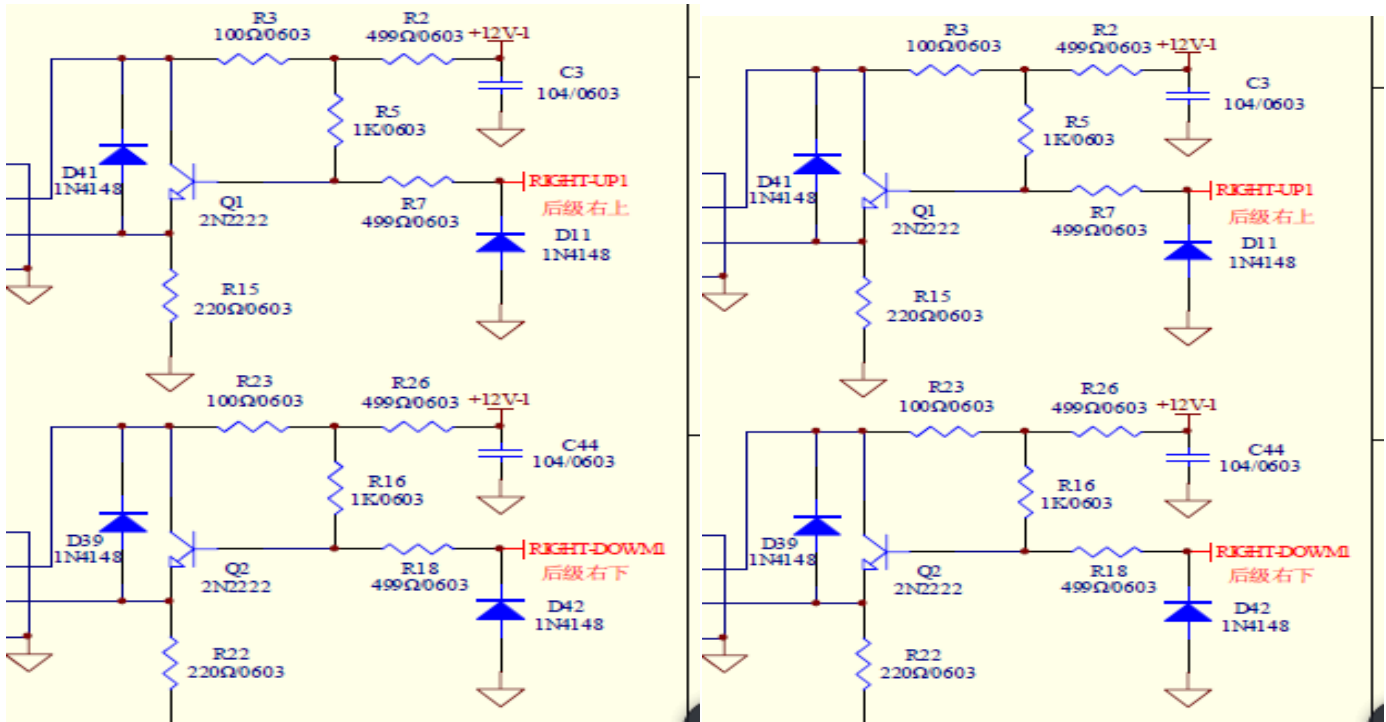
MOS (DC to AC MOS)



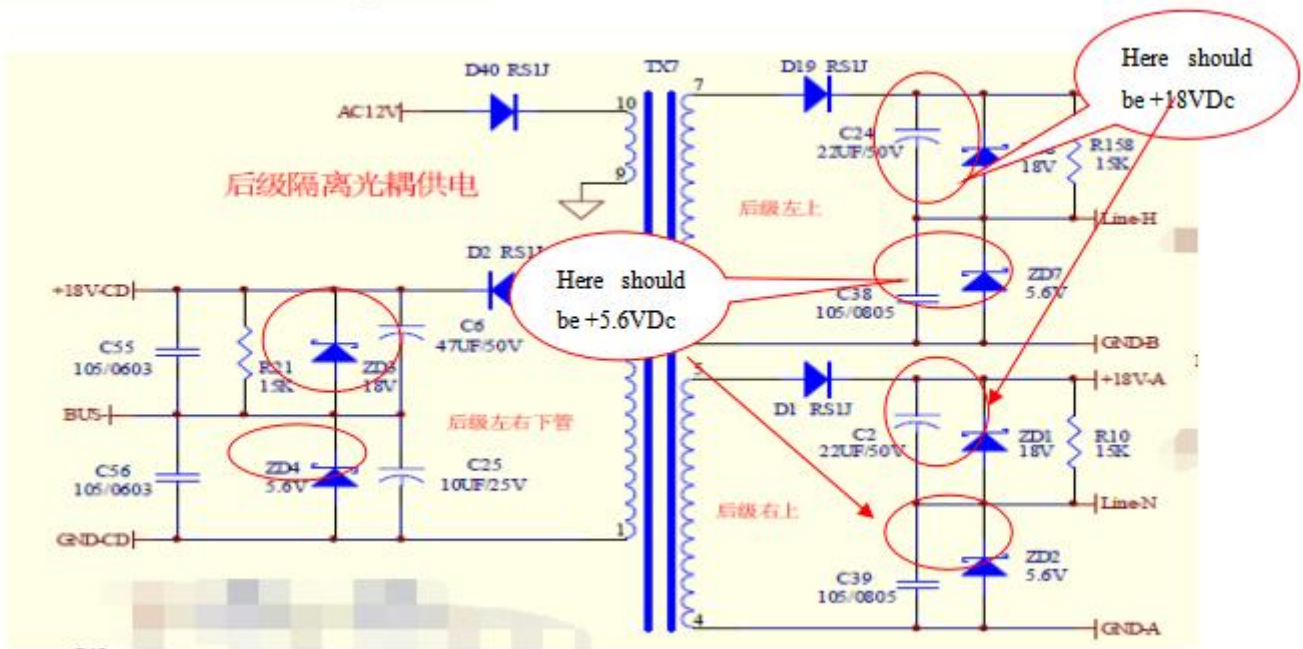
DC-DC drive circuit



DC to DC Isolated drive



DC TO AC drive circuit



DC to AC power source